

Non-Metallic Systems

Xtraflex RF Type C90



Technical Characteristics

| | | | |
|------------------------------------|--|--|----------|
| Conforms to | BSI Kitemark KM-35161 Low voltage directive | | |
| Approvals and Standards | | | |
| Degree of mechanical protection | High Impact Resistance | | |
| Degree of protection | IP67 - As standard | | |
| UV protection | Very High | | |
| Fitting Characteristics | 90° Elbow - Fixed external male thread Black (BL) Only | | |
| Application | For insertion into threaded entries or knockouts using a locknut to secure (Locknuts Supplied with METRIC Threads Only) | | |
| Normal operating temperature range | Application | Min Temp | Max Temp |
| | Static | - 5°C | +60°C |
| | Dynamic | - 5°C | +60 °C |
| For use with - Conduit Series | Standard weight Xtraflex Type RF | | |
| Fire performance | Test Standard | Performance Rating | |
| | ISO 4589-2 | 24% | |
| | BS EN 60695-2-11 | 850°C | |
| | UL94 | V2 | |
| | | Self Extinguishing Low Smoke & Halogen Free | |
| Testing data | Click or See page 3 | | |
| Type of material | Polyamide (Nylon) 66 - Body | | |
| Image | | | |

The Company's policy is one of continuous improvement and reserves the right to change specifications at any time without prior notice.

Non-Metallic Systems



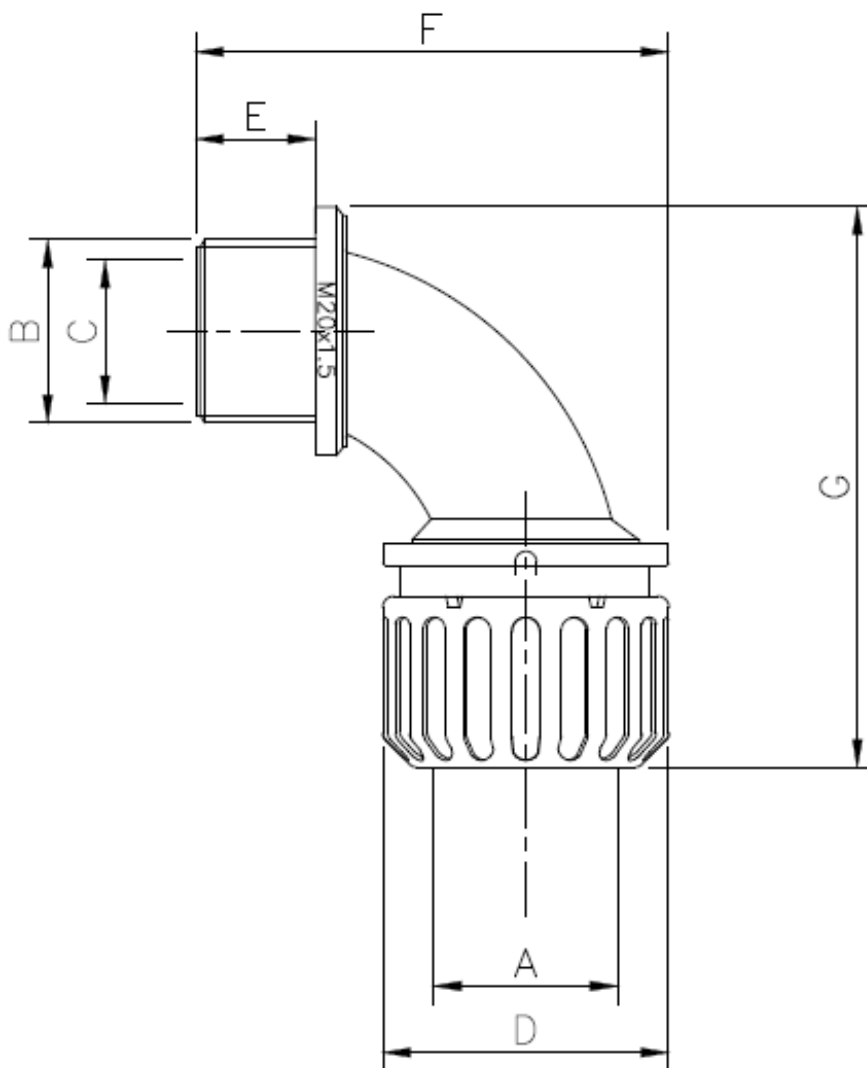
Xtraflex RF Type C90

Dimensional & Thread Data

| Part No Black Body Metric Threads | Nominal Conduit A | Thread B | Nominal Dimensions (mm) | | | | |
|---|-------------------------|-------------|-------------------------|------|------|------|-------|
| | | | C | D | E | F | G |
| RF16/M16/C90/BL | 16 | M16x1.5 | 10.0 | 27.0 | 10.5 | 48.0 | 50.0 |
| RF20/M20/C90/BL | 20 | M20x1.5 | 14.0 | 33.0 | 13.5 | 56.0 | 49.5 |
| RF25/M25/C90/BL | 25 | M25x1.5 | 19.0 | 43.0 | 17.0 | 71.5 | 74.5 |
| RF32/M32/C90/BL | 32 | M32x1.5 | 26.0 | 47.0 | 18.5 | 82.0 | 90.5 |
| RF40/M40/C90/BL | 40 | M40x1.5 | 34.0 | 59.0 | 16.0 | 93.0 | 100.5 |

| Metric | Standard thread conforming to EN60423 & BS3643 | | |
|-------------|--|----------------------------|-------|
| Thread Size | Ext Thread Outside Diameter | Int Thread Inside Diameter | Pitch |
| M12 | 12mm | 10.9mm | 1.5mm |
| M16 | 16mm | 14.4mm | 1.5mm |
| M20 | 20mm | 18.4mm | 1.5mm |
| M25 | 25mm | 23.4mm | 1.5mm |
| M32 | 32mm | 30.4mm | 1.5mm |
| M40 | 40mm | 38.4mm | 1.5mm |
| M50 | 50mm | 48.4mm | 1.5mm |
| M63 | 63mm | 61.4mm | 1.5mm |

NOTE: Dimensions are nominal



The Company's policy is one of continuous improvement and reserves the right to change specifications at any time without prior notice.

Non-Metallic Systems

Xtraflex RF Type C90



Thermal Properties

| Test Type | Methods / Standards | Requirements | Value |
|------------------------|---------------------|------------------------------|---------------|
| Dynamic Applications | | 5000 Operations at MBR 2hrs | -5°C to +60°C |
| Static Short Term Temp | | Temporary Use (3000hrs) | -5°C to +60°C |
| Static Long Term Temp | | Permanent Use (30,000) Hours | -5°C to +60°C |

Flammability

| Test Type | Method / Standard | Requirement | Result | Unit |
|--------------|-------------------|-------------------------------------|--------|-----------|
| Glow Wire | BS EN 60695-2-11 | Extinguish within 30s | 850°C | °C |
| Flammability | IEC 61386-1-12 | 1Kw Burner Flame to Self Extinguish | Pass | Pass/Fail |
| Oxygen Index | ISO 4589-2 | | 24.1 | % |

Chemical Resistance Chart

| Key: | Green Circle | Yellow Circle | Red Circle | Black Circle |
|-----------------------|--------------|---------------|------------|--------------|
| Suitable : | ● | | | |
| Limited Suitability : | | ● | | |
| Unsuitable : | | | ● | |
| Not Tested : | | | | ● |

| | | | |
|------------------------|---------------------------|--------------------------|-------------------------|
| ● Astm No.1 | ● Diesel oil | ● Methyl Bromide | ● Sulphur Dioxide (Gas) |
| ● Astm No.2 | ● Diethylamine | ● MEK | ● Sulphuric Acid (10%) |
| ● Astm No.3 | ● Ethanol | ● Nitric Acid (10%) | ● Sulphuric Acid (70%) |
| ● Acetic Acid (10%) | ● Ether | ● Nitric Acid (70%) | ● Toluene |
| ● Acetone | ● Ethylamine | ● Oxalic Acid | ● Transformer Oil |
| ● Aluminium Chloride | ● Ethylene Glycol | ● Ozone (Gas) | ● 1,1,1-Trichloroethane |
| ● Aniline | ● Ethyl Ethanoate | ● Paraffin oil | ● Trichloroethylene |
| ● Benzaldehyde | ● Freon 32 | ● Petrol | ● Turpentine |
| ● Benzene | ● Hydrochloric Acid (10%) | ● Phenol | ● Vegetable Oil |
| ● Carbon tetrachloride | ● Hydrochloric Acid (36%) | ● Sea Water | ● Vinyl Acetate |
| ● Chlorine water | ● Hydrogen Peroxide (35%) | ● Silver Nitrate | ● Water |
| ● Chloroform | ● Hydrogen Peroxide (87%) | ● Skydrol | ● White Spirit |
| ● Citric Acid | ● Lactic Acid | ● Sodium Chloride | ● Zinc Chloride |
| ● Copper Sulphate | ● Lubricating oil | ● Sodium Hydroxide (10%) | |
| ● Cresol | ● Methanol | ● Sodium Hydroxide (60%) | |

The information above is given as a guide only and is based on published technical data and experience. The chemical resistance of the above products is dependant on factors such as chemical exposure, concentration of the chemical and temperature. The above chemicals are valid for a temperature of 23°C. Use of the above table is at the users own discretion and risk. Those using it must satisfy themselves that their application presents no health and safety risks. The end user should assess compatibility with their application and contact Thomas & Betts for further information.

ADHERENCE TO THE CURRENT WIRING REGULATIONS BS7671 OR NEC WIRING REGULATIONS (FOR USA) IS STRONGLY ADVISED.
 MINIMUM BEND RADIUS FOR FLEXING IS DEPENDANT UPON MINIMUM TEMPERATURE, BENDING FREQUENCY AND CHEMICAL ENVIRONMENT.

The Company's policy is one of continuous improvement and reserves the right to change specifications at any time without prior notice.